



www.holdmycargo.com

INSTRUCTION & OWNERS MANUAL



INSTRUCTIONS AND OPTIONS

MODEL NO.: 001
DESCRIPTION: 25 LNCH

CP-ASSM01
INSTRUCTIONS & OPTIONS

MADE IN THE USA

PATENT PENDING



www.holdmycargo.com

FOR MORE INFORMATION PLEASE VISIT HOLDMYCARGO.COM



INSTALLATION INFORMATION

½ Ton GMC, Chevrolet owners refer to sheets 3 & 4 of instructions for HORIZONTAL mounting CargoPost at the extreme front of the pickup truck bed behind truck cab using U-Bolt provided by the manufacturer.

½ Ton Dodge, CargoPost can be mounted Horizontal or Vertical in the extreme front of pickup bed (refer to sheets 3 & 4).

½ Ton GMC, Chevrolet and Dodge owners refer to sheet 3 of instructions for VERTICAL mounting CargoPost at the REAR of the pickup truck bed using U-Bolt provided by the manufacturer.

¾ Ton GMC, Chevrolet and Dodge owners refer to sheet 3 of instructions for mounting at the front and rear of the pickup truck bed using the U-Bolt supplied by vehicle manufacturer.

ATTENTION – Refer to vehicles owner's manual for proper installation locations for cargo accessories.

When a U-Bolt is **NOT PROVIDED** by the manufacturer to install CargoPost in pickup truck bed please refer to sheets 5 thru 8 of the instructions for Drill and Riv-Nut installation options.

Please visit holdmycargo.com for more information and pictures of CargoPost

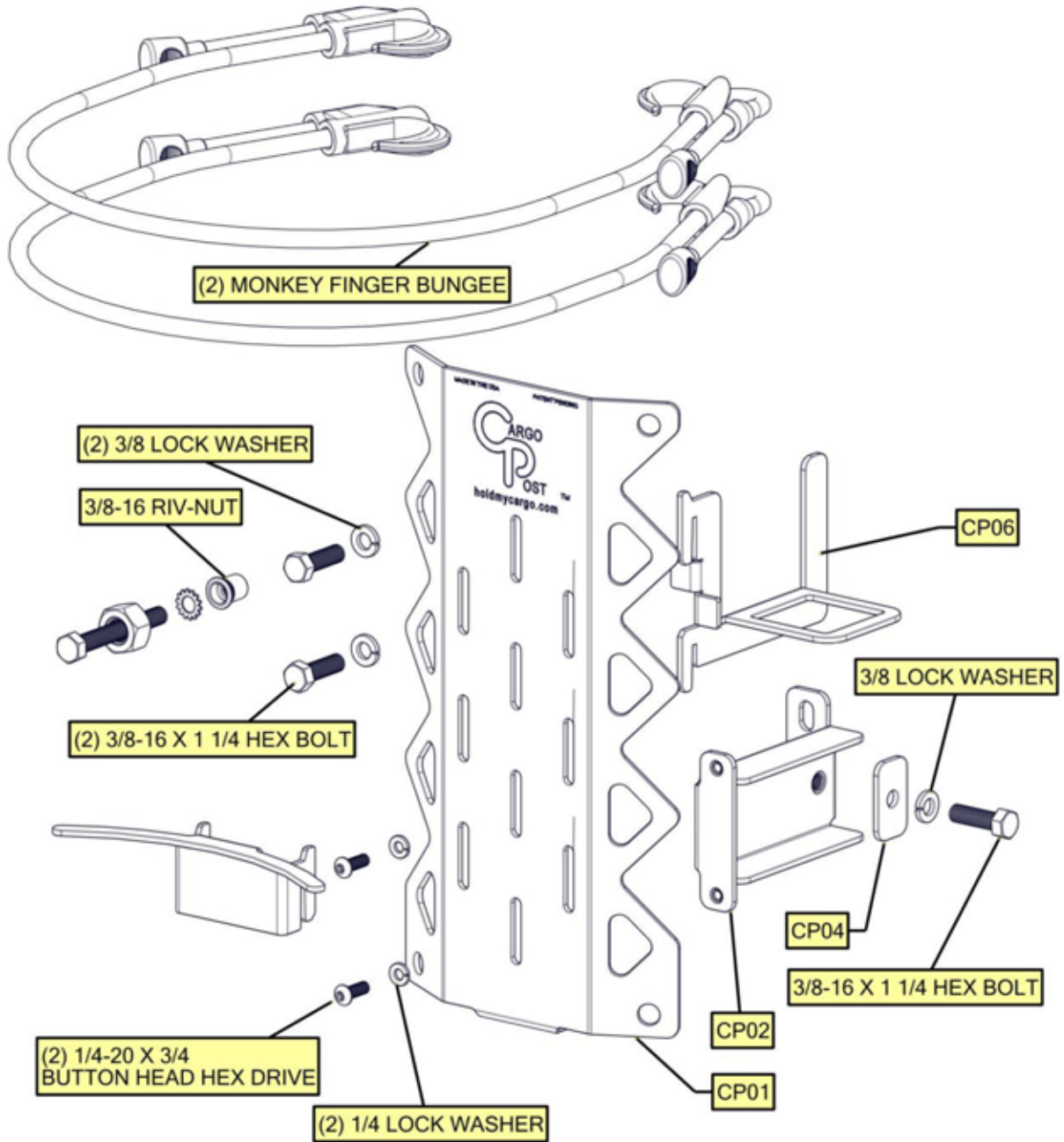


INSTRUCTIONS AND OPTIONS

MODEL NO.: 001
DESCRIPTION: 25 LNCH

CP-ASSM01
INSTRUCTIONS & OPTIONS

COMPLETE KIT

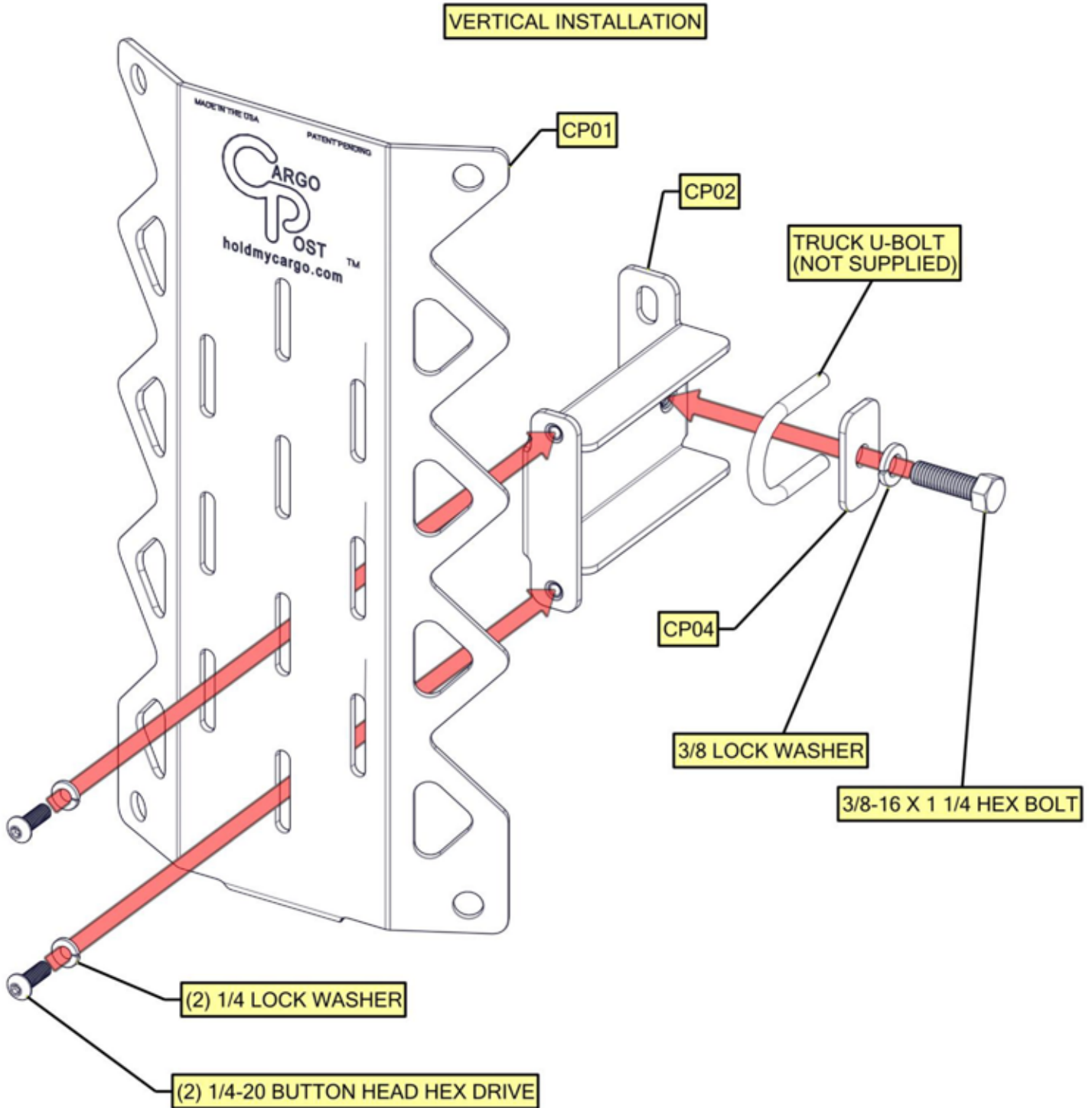


INSTRUCTIONS AND OPTIONS

MODEL NO.: 001
DESCRIPTION: 25 LNCH

CP-ASSM01
INSTRUCTIONS & OPTIONS

TYPICAL INSTALLATION USING EXISTING TRUCK U-BOLT (NO DRILLING REQUIRED)

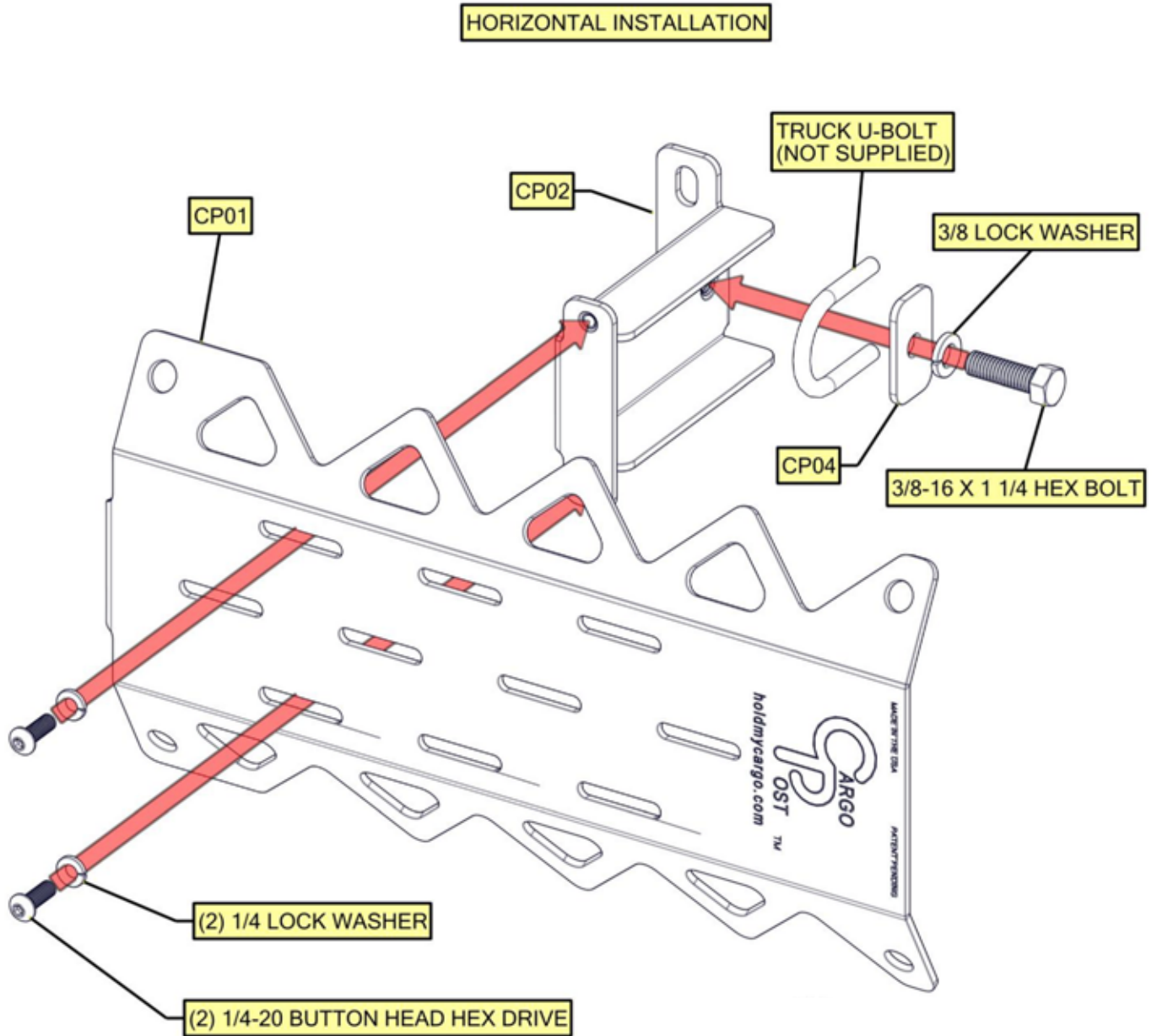


INSTRUCTIONS AND OPTIONS

MODEL NO.: 001
DESCRIPTION: 25 LNCH

CP-ASSM01
INSTRUCTIONS & OPTIONS

TYPICAL INSTALLATION USING EXISTING TRUCK U-BOLT (NO DRILLING REQUIRED)



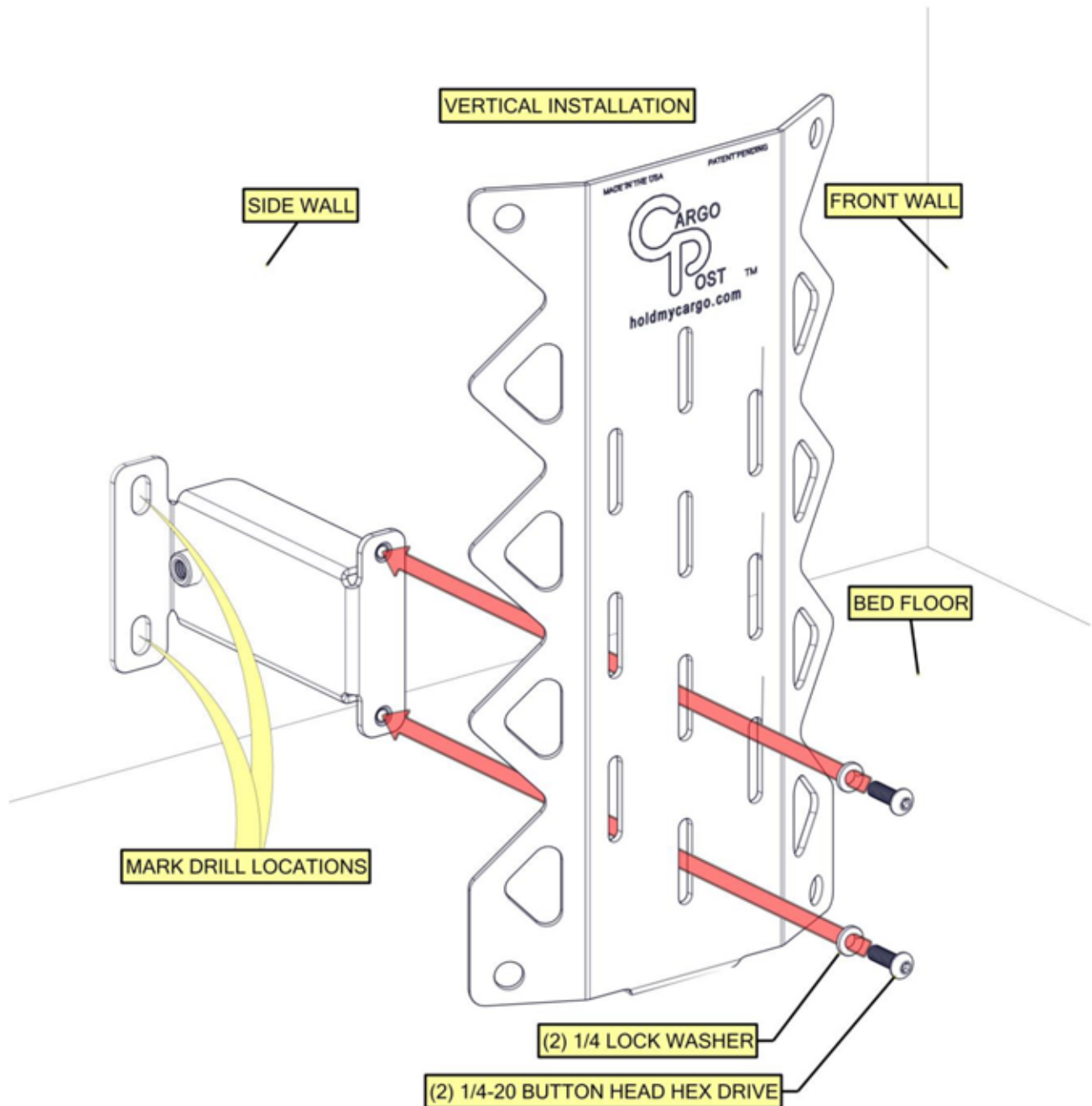
INSTRUCTIONS AND OPTIONS

MODEL NO.: 001
DESCRIPTION: 25 LNCH

CP-ASSM01
INSTRUCTIONS & OPTIONS

MARK RIV-NUT INSTALLATION LOCATION

- 1) DETERMINE WHETHER VERTICAL OR HORIZONTAL INSTALLATION IS NEEDED
- 2) PRE-ASSEMBLE CARGO POST TO LOCATE DRILL LOCATIONS NEEDED
- 3) MARK DRILL LOCATIONS AND REMOVE CARGO POST
- 4) PROCEED TO "RIV-NUT COMPONENTS INSTALLATION ASSEMBLY" STEP

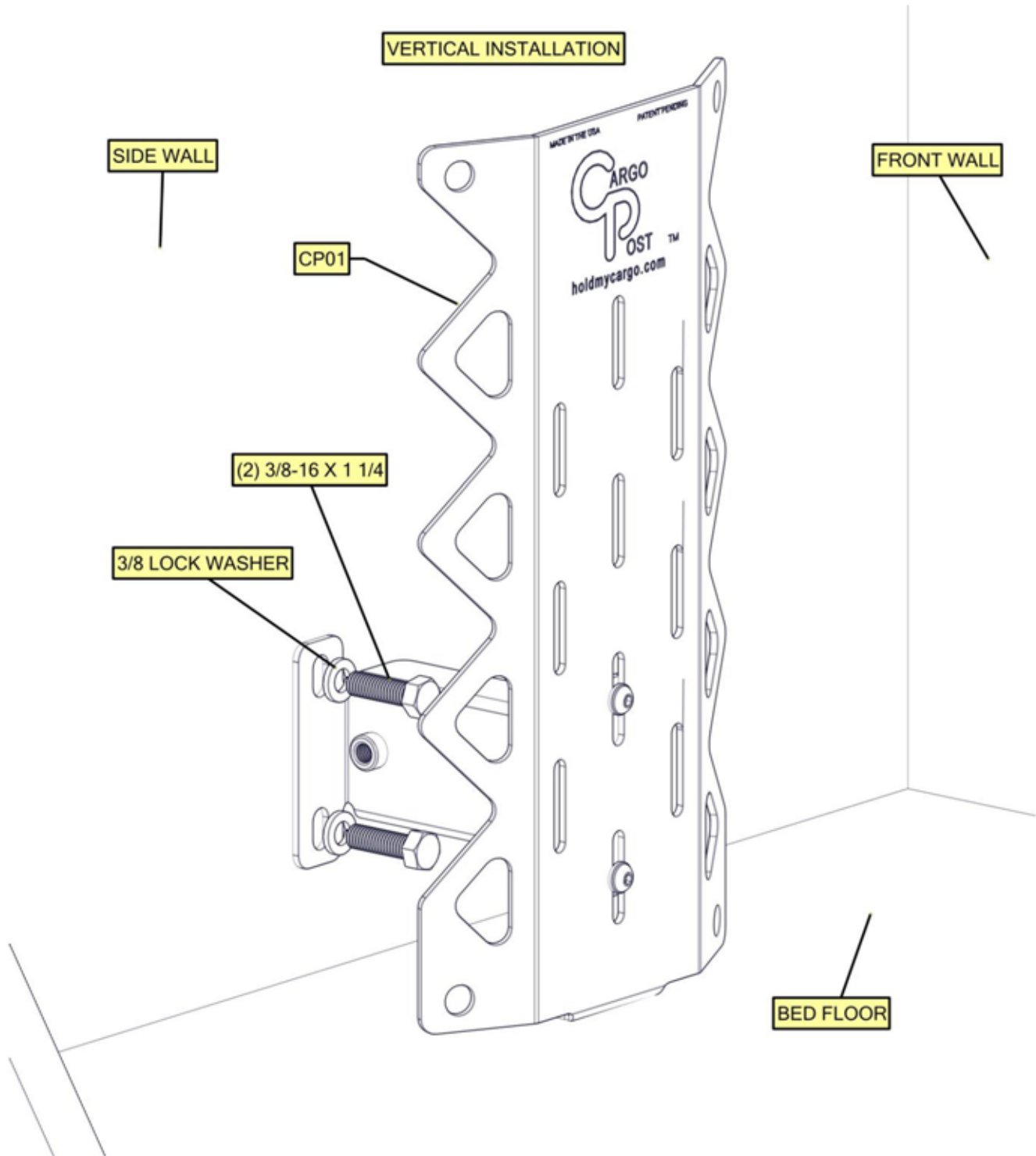


INSTRUCTIONS AND OPTIONS

MODEL NO.: 001
DESCRIPTION: 25 LNCH

CP-ASSM01
INSTRUCTIONS & OPTIONS

FASTENING CARGO POST VERTICALLY TO INSTALLED RIV-NUTS

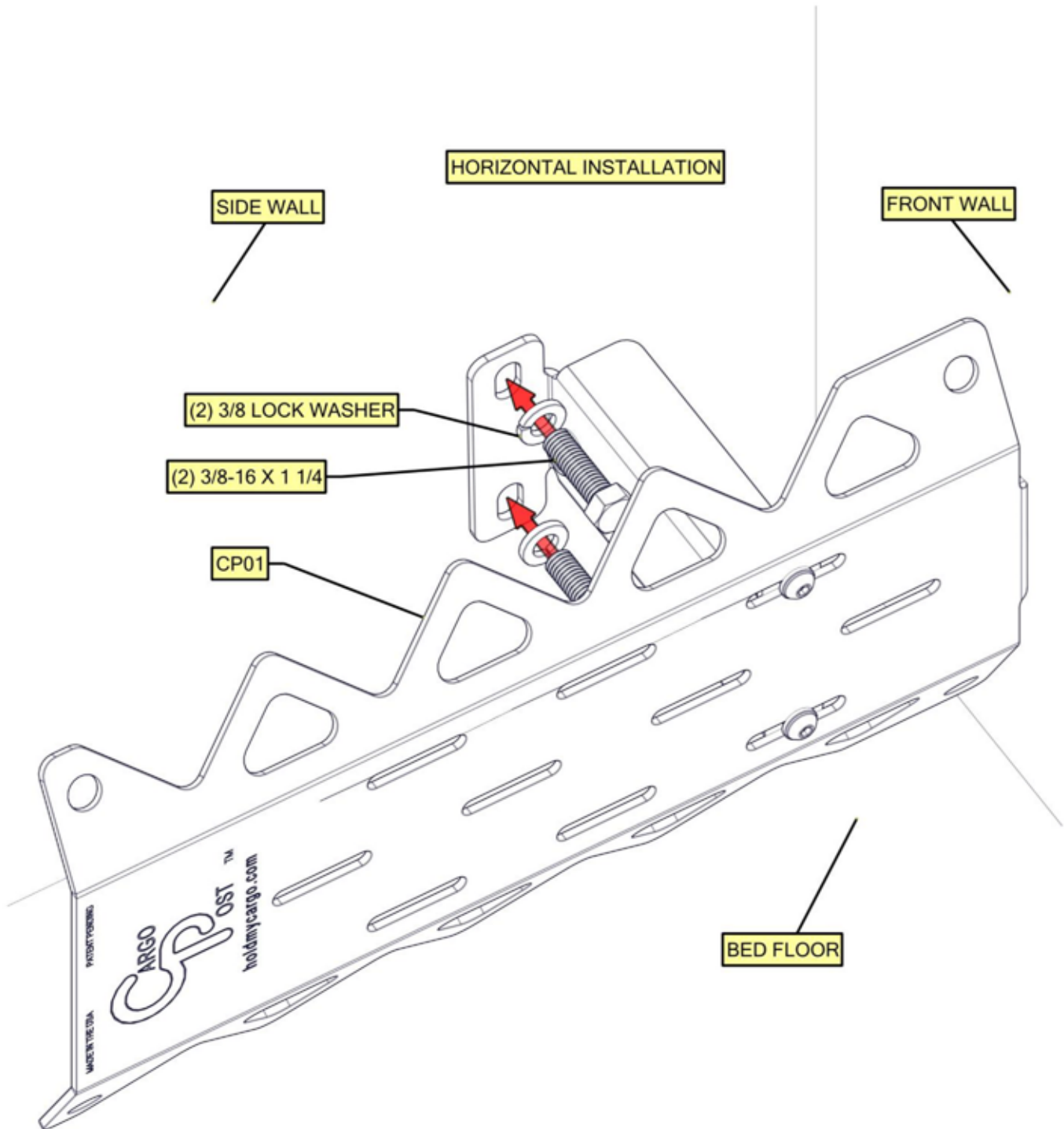


INSTRUCTIONS AND OPTIONS

MODEL NO.: 001
DESCRIPTION: 25 LNCH

CP-ASSM01
INSTRUCTIONS & OPTIONS

FASTENING CARGO POST HORIZONTALLY TO INSTALLED RIV-NUTS

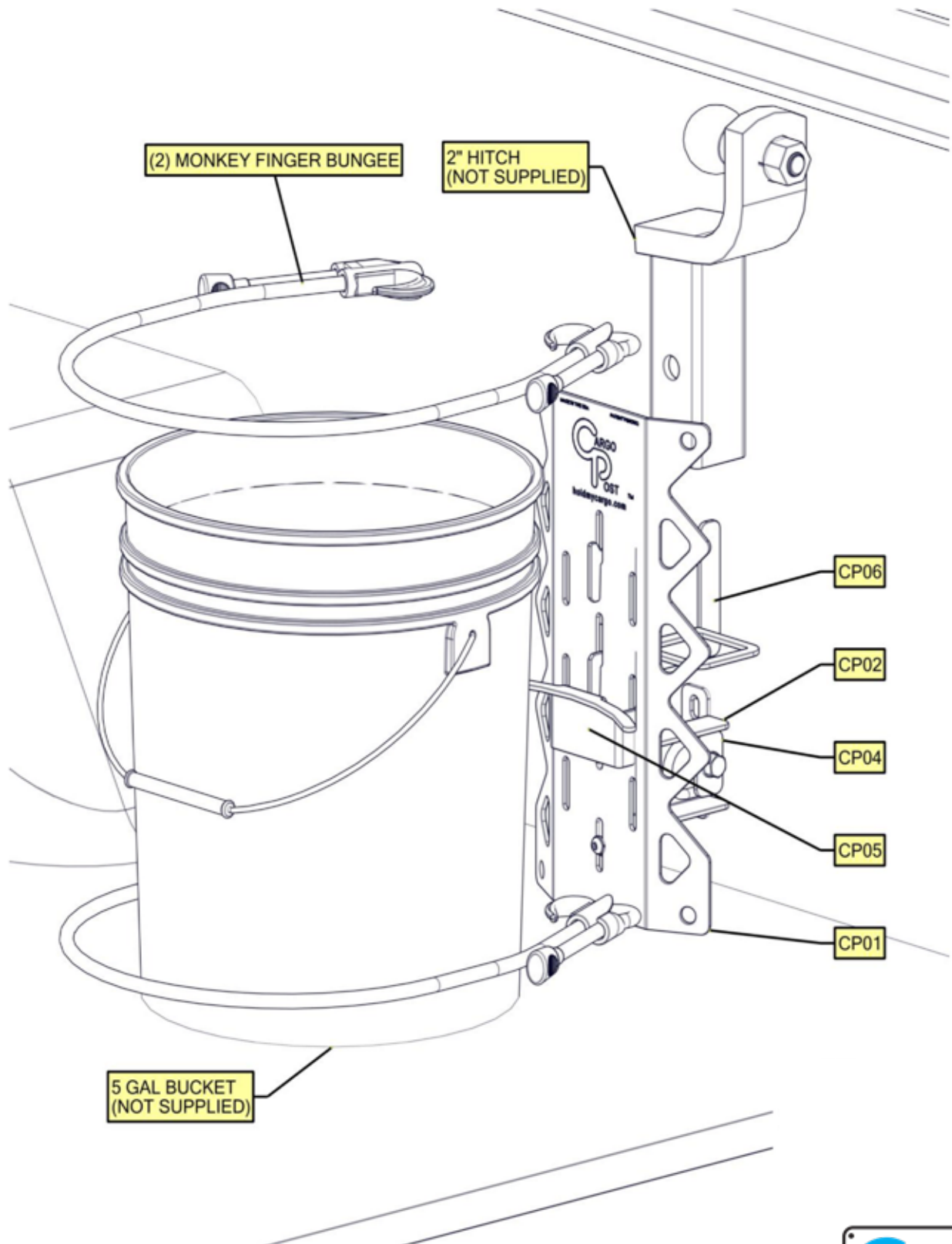


INSTRUCTIONS AND OPTIONS

MODEL NO.: 001
DESCRIPTION: 25 LNCH

CP-ASSM01
INSTRUCTIONS & OPTIONS

CARGO POST SHOWING SOME TYPICAL FUNCTIONS



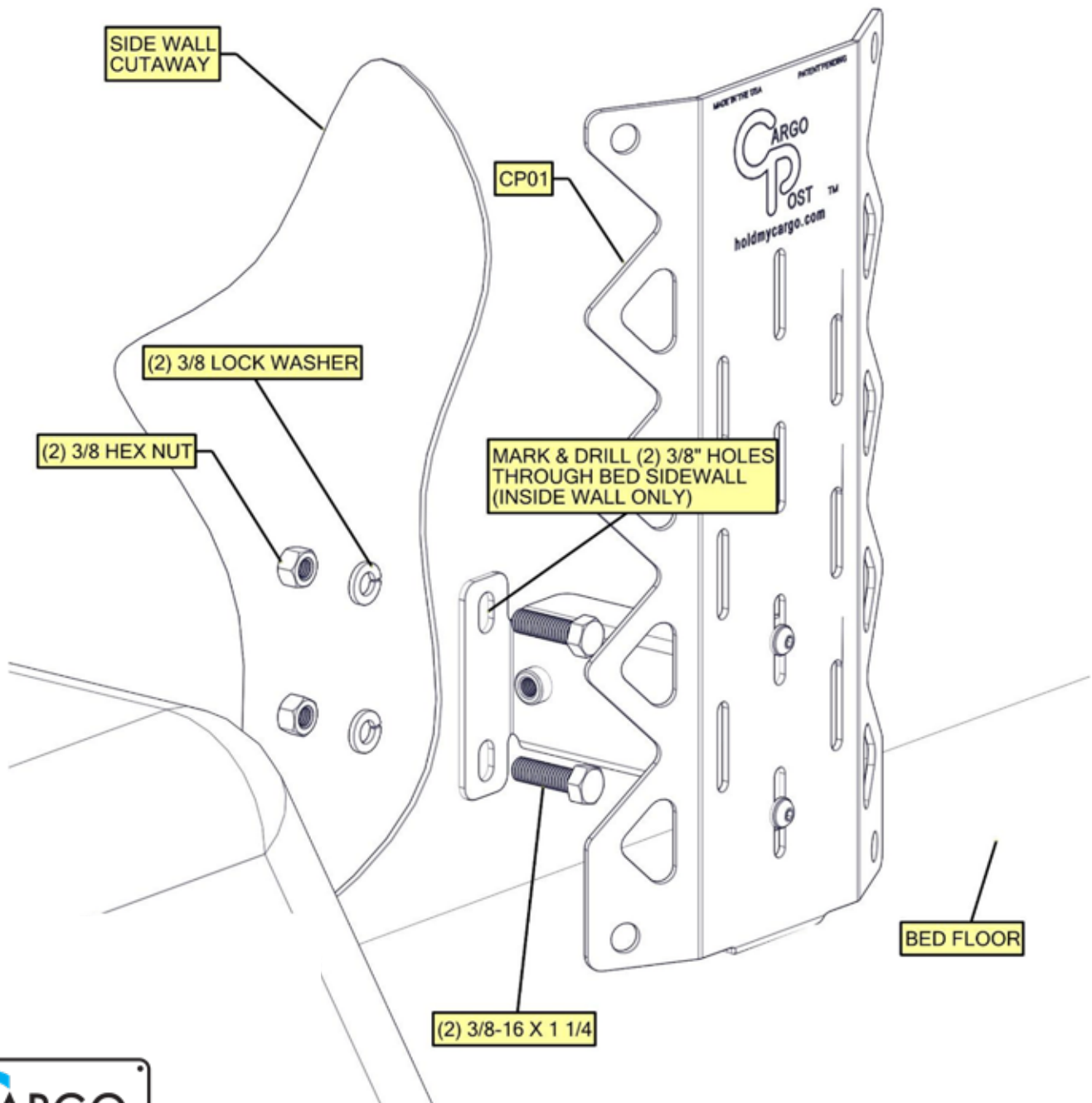
INSTRUCTIONS AND OPTIONS

MODEL NO.: 001
DESCRIPTION: 25 LNCH

CP-ASSM01
INSTRUCTIONS & OPTIONS

FASTENING CARGO POST VERTICALLY USING 3/8 HARWARE PROVIDED

VERTICAL INSTALLATION





www.holdmycargo.com



Hold Down Your Cargo with CargoPost
Best Accessory for your
Pick Up Truck / UTV / ATV



Includes Tie-Downs
& Installation Hardware

